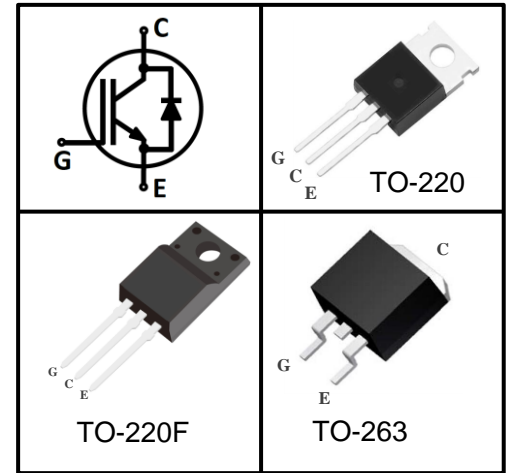


Features

- Easy parallel switching capability due to positive temperature coefficient in V_{CEsat}
- Low V_{CEsat} , fast switching
- High ruggedness, good thermal stability
- Very tight parameter distribution

Applications

- Motor Drives



Type	Marking	Package Code
MPBP15N65EF	MP15N65EF	TO-220-3
MPBA15N65EF	MP15N65EF	TO-220F-3
MPBC15N65EF	MP15N65EF	TO-263

Maximum Rated Values ¹

Parameter	Symbol	Value			Unit
		220	220F	263	
Collector-emitter voltage	V_{CE}	650			V
DC collector current ²					A
$T_C=25^\circ\text{C}$	I_C	30			
$T_C=100^\circ\text{C}$		15			
Pulsed collector current ³	I_{Cpuls}	45			
Diode forward current ²					
$T_C=25^\circ\text{C}$	I_F	30			
$T_C=100^\circ\text{C}$		15			
Diode pulsed current ³	I_{Fpuls}	45			
Short circuit withstanding time $V_{GE} = 15\text{V}, V_{CC} \leq 400\text{V}, T_J \leq 150^\circ\text{C}$	t_{SC}	10			us
Gate-emitter voltage	V_{GE}	± 20			V
Transient Gate-emitter voltage ($t_p \leq 10\text{us}$)		± 30			
Power dissipation					W
$T_C=25^\circ\text{C}$	P_{tot}	125	52	107	
$T_C=100^\circ\text{C}$		63	26	54	
Operating junction temperature	T_j	-55~175			°C
Storage temperature	T_{stg}	-55~150			

1:Reference standard: JESD-022 2: limited by T_{jmax} 3: T_p limited by T_{jmax} ;

**Thermal Characteristics**

Parameter	Symbol	Max			Unit
		220	220F	263	
IGBT thermal resistance, junction-case	R_{thJC}	1.2	2.9	1.4	K/W
Diode thermal resistance, junction-case	R_{thJCD}	2.0	4.6	2.8	
Thermal Resistance, junction-ambient	R_{thJA}	65	65	65	

Electrical Characteristics (at $T_j=25^\circ\text{C}$, unless otherwise specified)
Static Characteristics

Parameter	Symbol	Conditions	Min	Typ	Max	Unit
Collector-emitter breakdown voltage	$V_{(BR)CES}$	$V_{GE}=0V$, $I_C=0.25mA$	650	-	-	V
Collector-emitter saturation voltage	$V_{CE(sat)}$	$V_{GE}=15V$, $I_C=15A$ $T_j=25^\circ\text{C}$	-	1.45	1.95	
		$T_j=125^\circ\text{C}$	-	1.60	-	
		$T_j=150^\circ\text{C}$	-	1.80	-	
Diode forward voltage	V_F	$V_{GE}=0V$, $I_F=15A$ $T_j=25^\circ\text{C}$	-	1.50	1.80	
		$T_j=125^\circ\text{C}$	-	1.40	-	
		$T_j=150^\circ\text{C}$	-	1.30	-	
G-E threshold voltage	$V_{GE(th)}$	$I_C=250\mu A$, $V_{CE}=V_{GE}$	4.5	5.8	6.5	
C-E leakage current	I_{CES}	$V_{CE}=650V$, $V_{GE}=0V$ $T_j=25^\circ\text{C}$	-	-	0.01	mA
		$T_j=150^\circ\text{C}$	-	-	1.0	
G-E leakage current	I_{GES}	$V_{CE}=0V$, $V_{GE}=20V$	-	-	250	nA

Dynamic Characteristics

Parameter	Symbol	Conditions	Min	Typ	Max	Unit
Input capacitance	C_{iss}	$V_{CE}=25V,$ $V_{GE}=0V,$ $f=1MHz$	-	1285	-	pF
Output capacitance	C_{oss}		-	69	-	
Reverse transfer capacitance	C_{rss}		-	9	-	
Gate charge	Q_G	$V_{CC}=300V, I_C=15A,$ $V_{GE}=15V$	-	53	-	nC

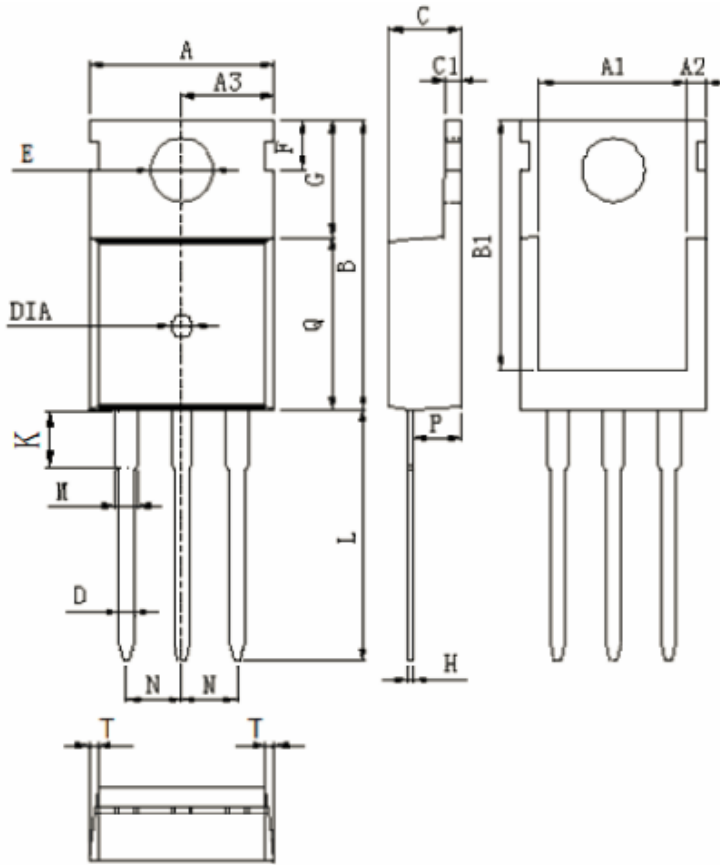
IGBT Switching Characteristics

Parameter	Symbol	Conditions	Min	Typ	Max	Unit
Turn-on delay time	$t_{d(on)}$	$T_j=25^\circ C,$ $V_{CC}=400V,$ $I_C=15A,$ $V_{GE}=0/15V,$ $R_G=10\Omega,$ Inductive load	-	66	-	ns
Rise time	t_r		-	35	-	
Turn-off delay time	$t_{d(off)}$		-	126	-	
Fall time	t_f		-	57	-	
Turn-on energy	E_{on}		-	0.28	-	mJ
Turn-off energy	E_{off}		-	0.30	-	
Total switching energy	E_{ts}		-	0.58	-	

Diode Characteristics

Parameter	Symbol	Conditions	Min	Typ	Max	Unit
Diode reverse recovery time	t_{rr}	$T_j=25^\circ C,$ $V_R=400V,$ $I_F=15A,$ $di_F/dt=570A/\mu s$	-	82	-	ns
Diode reverse recovery charge	Q_{rr}		-	0.40	-	μC
Diode peak reverse recovery current	I_{rrm}		-	8.5	-	A

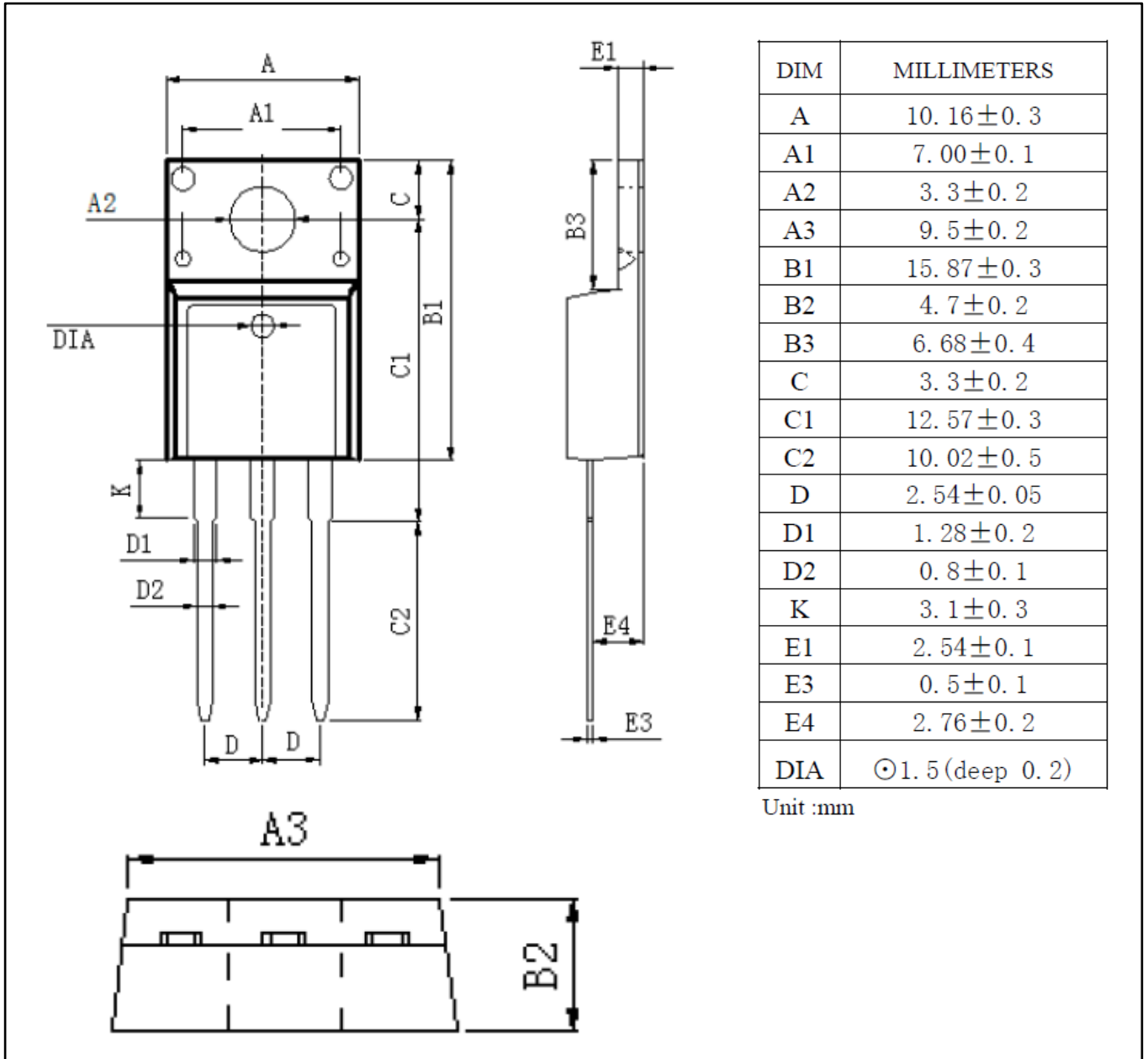
TO-220-3L



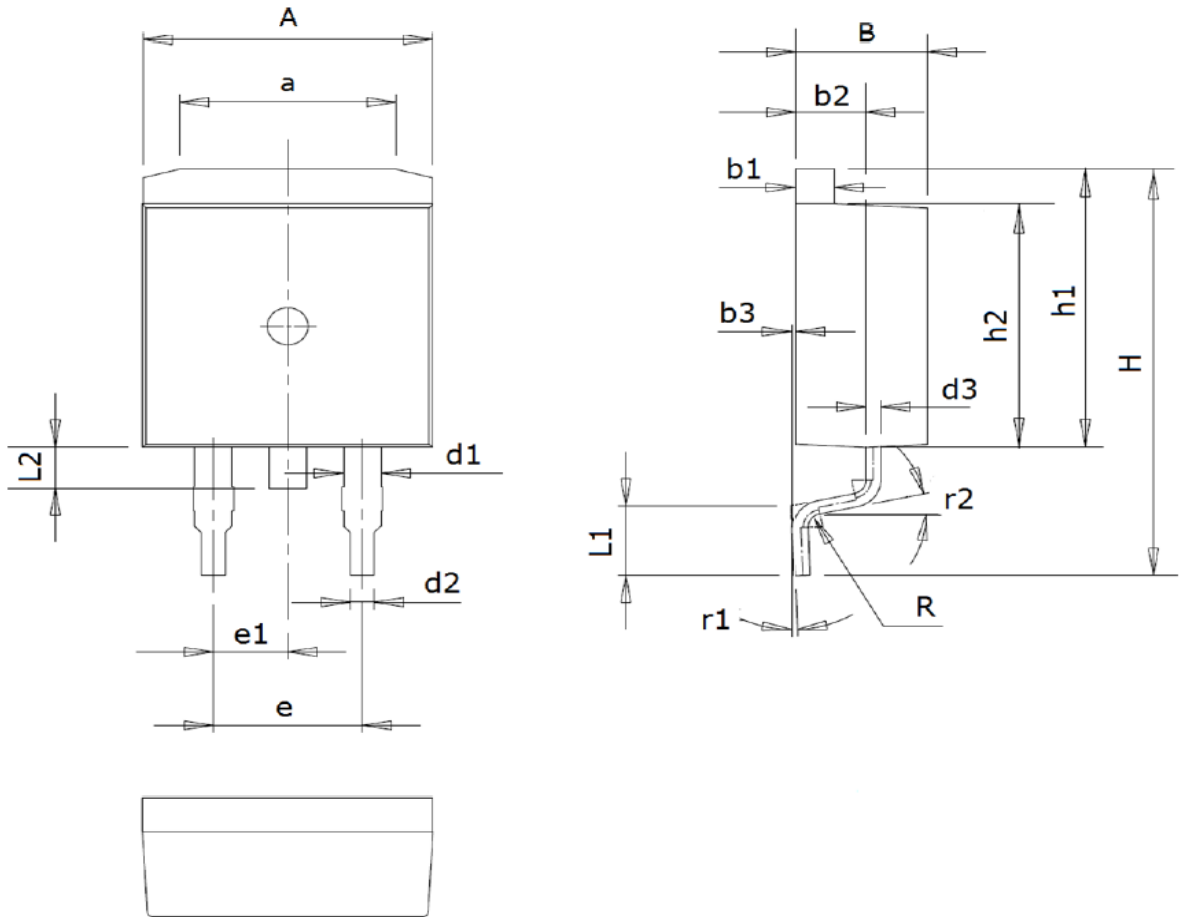
DIM	MILLIMETERS
A	10.0±0.3
A1	8.64±0.2
A2	1.15±0.1
A3	5.0±0.2
B	15.8±0.4
B1	13.2±0.3
C	4.56±0.1
C1	1.3±0.2
D	0.8±0.2
E	3.6±0.2
F	2.95±0.3
G	6.5±0.3
H	0.5±0.1
K	3.1±0.2
L	13.2±0.4
M	1.25±0.1
N	2.54±0.1
P	2.4±0.3
Q	9.0±0.3
T	W:0.35
DIA	⊙1.5 (deep 0.2)

Unit :mm

TO-220F-3L



TO-263



Symbol	Dimensions (mm)	Symbol	Dimensions (mm)	Symbol	Dimensions (mm)
A	9.86~10.26	d2	0.7~0.96	L1	2.0~2.6
a	7.0~7.8	d3	0.3~0.53	L2	1.3~1.8
B	4.37~4.77	e	5.08	R	0.5
b1	1.22~1.42	e1	2.54	r1	0-9°
b2	2.2~2.6	H	14.7~15.5	r2	12°
b3	0~0.25	h1	10.3~10.7		
d1	1.17~1.47	h2	9.1~9.4		



Revision History:

Revision	Date	Subjects (major changes since last revision)
1.0	2022-04	Initial version



Terms & Conditions of usage

1. The product specifications, characteristics, data, materials and structures given in this datasheet are subject to change without notice.
2. The information given in this datasheet shall in no event be regarded as a guarantee of conditions or characteristics. Marching-Power Technology Co., Ltd. does not warrant or assume any legal liability or responsibility for the accuracy and completeness of any examples, hints or any typical values stated herein and/or any information regarding the application of the product.
3. This datasheet is only used as a reference for customers to apply our products, Marching-Power Technology Co., Ltd. does not undertake to permit the use of intellectual property rights or any third-party property rights related to the product information described in this datasheet.
4. Although Marching-Power Technology Co., Ltd. is committed to enhancing product quality and reliability, all semiconductor products still have a probability of failure. When using Marching-Power semiconductor products in your equipment, you are requested to take adequate safety measures to prevent the equipment from causing accidents or events including but not limited to physical injury, fire or damage to other property if any of the products become faulty.
5. The products introduced in this datasheet are electrostatic sensitive devices and must be protected against static electricity during device installation, testing, packaging, storage and transportation.
6. Do not use the products introduced in this datasheet in equipment or systems that requiring strict reliability or/and may directly endanger human life such as medical, life-saving, life-sustaining, space equipment, aeronautic equipment, nuclear equipment submarine repeater equipment and equivalents to strategic equipment (without limitation).
7. No part of this datasheet may be disseminated and reproduced in any form or by any means without prior written permission from Marching-Power Technology Co., Ltd.
8. The data contained in this datasheet is exclusively intended for use by professional technicians only. It is the responsibility of the customer's own technical departments to evaluate the suitability of the product for the intended application and the completeness of the product information given in this document with respect to corresponding application. If you have any question about any portion in this datasheet, contact Marching-Power Technology Co., Ltd. before using the product. Marching-Power Technology Co., Ltd. shall not be liable for any injury caused by any use of the products not in accordance with instructions set forth herein.